

HC150



DESCRIPTION

The HC150 series solenoid driven dosing pump is ideal solution for dosing small amount of chemical product. The pump is regulated through analogue control including a 2 colour LED and regulating knob.

- Analogue solenoid driven metering pump constant flow rate;
- Housing: PP;
- Double pulse frequency range selection 0-100% or 0-
- Power supply 230VAC – 50/60Hz;
- IP65 protection
- Analogue controls by knob (frequency - volume each stroke) and one LED;
- Manual air bleed valve for quick priming
- Wall mountable. (Optional tank mounting bracket available)

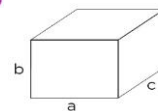
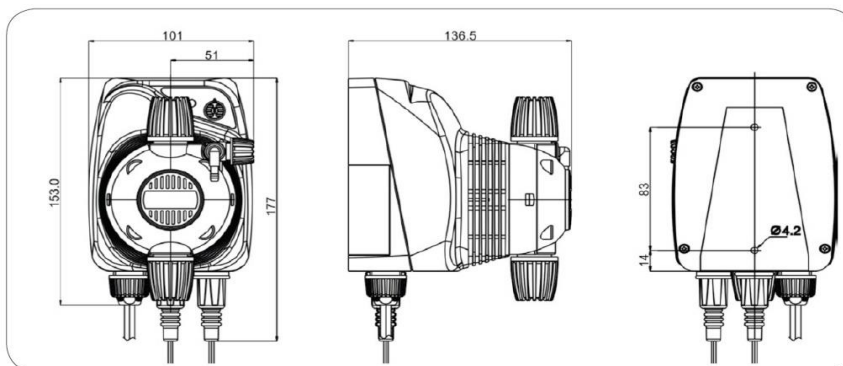
STANDARDS

- no. 2004/108/CE EMC directive
- no. 2006/95/CE "DBT Low Voltage Directive"
- no. 2011/65/UE, 2012/19/UE "RoHs and WEEE directives"

TECHNICAL FEATURES

HC150	Standard Version	Upon Request
Pump head	PP	PVDF
Pump body	PP	-
Diaphragm	PTFE	-
Balls	Pyrex	PTFE; ceramica/ceramic
Body Valve	PP	PVDF
O-rings	Viton®	Dutral®
Spring loaded injection valve	Hastelloy/Pyrex	Hastelloy - PTFE/Hastelloy - ceramic
Injection fitting	PP	PVDF
Suction & air bleed tube	PVC	-
Delivery tube	PP	PTFE
Foot valve	PP	PVDF

DIMENSIONS



a x b x c: 192 x 160 x 250 mm:
Kg:2.33

Code	Model	Flow rate l/h	Pressure bar	No. of strokes spm	Injection volume ml/stroke	Consumption watt	Tubing IDxOD	Pump Body	Price £	B
AD95001200000	1	2	8	120	0.28	14	4x6	PP 1/2"	162.79	
		5	5		0.69					
		7	2		0.97					
AD95002200000	3	3	12	120	0.42	16	4x6	PP 1/2"	162.79	
		4	10		0.56					
		5	8		0.69					

Other pump out puts and pressures are available. Please contact us for further information



INSTALLATION KIT

Code	Description	Price	C
ADSP6000078	PE delivery tube 4x6mm 2m length	£2.90	
ADSP6000546	PVC suction/bleed hose 4x6mm 2m length	£2.04	
ADSP6000001	Foot valve filter PP-VL-VT 4x6	£12.13	
ADSP6200007	Injection valve ball ½" PP-GL-VT 4x6	£16.55	
ADSP6020221	Wall fixing bracket	£5.47	
ADSP6000041	Anchors and screws	£0.52	



ADSP6000078 ADSP6000546



ADSP6000001 ADSP6200007



ADSP6020221 ADSP6000041

ACCESSORIES & SPARE PARTS

Code	Description	Price	C
ADSPHC15012	Wet end spares kit to suit HC150 -1/2 dosing pump	£43.70	
ADSPHC150	Wet end spares kit to suit HC150 - 3 dosing pump	£43.70	
ADBAS100	Foot/tank mounting bracket to suit HC150 dosing pump	£16.55	
ADSP9000100	Pump head 1-14/ltr PP-GL-VT	£53.45	



ADSP9000100 ADBAS100

Code	Description	Price
TANKMOUNT	When a pump, tank, and bracket are ordered we can pre-drill the tank for ease of installation. This includes fixings mounted into the tank at no extra cost	FOC



Code	Model	Size (Øxh) mm	Volume (l)	Price	
ADTANK0025	PE tank (Rectangular)	340x250x355h	25	£68.50	B
ADTANK006	PE tank	425x500	50	£102.91	A
ADTANK010	PE tank	500x680	100	£137.19	A
ADTANK020	PE tank	655x795	200	£165.27	A
ADTANK030	PE tank	655x1030	300	£274.38	A



Code	Model	Size (Øxh) mm	Volume (l)	Price	
ADVVIC0025	PE Bund	425x300	25	£43.14	B
ADVVIC0025R	PE Bund	560x455x185h	25	£65.85	B
ADVVIC005	PE Bund	680x290	50	£99.78	A
ADVVIC010	PE Bund	810x350	100	£121.62	A
ADVVIC020	PE Bund	975x400	200	£149.67	A
ADVVIC030	PE Bund	940x630	300	£190.21	A



Code	Model	Price	B
PVCHOSE4/6	30 metre coil 4x6mm PVC hose	£19.25	
PEHOSE3/8	30 metre coil 3/8" MDPE hose	£41.00	
PEHOSE4/6	30 metre coil 4x6mm MDPE hose	£29.33	
PTFE4/6HOSE	4x6mm PTFE hose (Per metre)	£4.50	
PEHOSE4/6DW	Double wall 30 metre coil 4x6mm PE hose (Outer LDPE 10x12mm)	105.00	
PTFE4/6HOSEDW	Double wall 30 metre coil 4x6mm PTFE hose (Outer LDPE 10x12mm)	230.00	



PE HOSE PVC HOSE